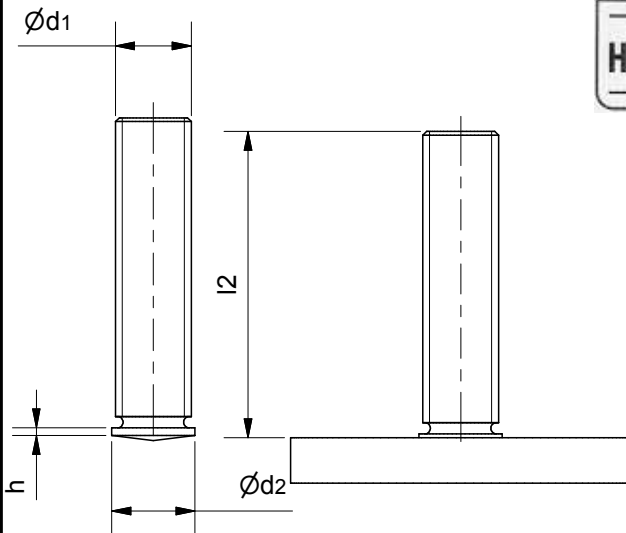




Typ/type PS DIN EN ISO 13918  
Gewindebolzen mit Flansch  
threaded stud with flange



| d1  | l2      | d2 | h       | Artikel Nr. <sup>2</sup><br>part.no. <sup>2</sup> | Austrüstung <sup>3</sup><br>tool set <sup>3</sup> | Bolzenhalter<br>chuck |
|-----|---------|----|---------|---|---|-----------------------|
| M6  | 25      | 7  | 0,8-1,4 | H14640  | H11727  | H10610                |
| M6  | 30      | 7  | 0,8-1,4 | H14609  | H11727  | H11589                |
| M6  | 40      | 7  | 0,8-1,4 | H14813  | H11727  | H11589                |
| M6  | 50      | 7  | 0,8-1,4 | H14705  | H11727  | H11589                |
| M6  | 80/60   | 7  | 0,8-1,4 | H14706  | H11727  | H11589                |
| M8  | 20      | 9  | 0,8-1,4 | H13495  | H11727  | H10611                |
| M8  | 30      | 9  | 0,8-1,4 | H15427  | H11727  | H10611                |
| M8  | 40      | 9  | 0,8-1,4 | H15428  | H11727  | H11152                |
| M8  | 50      | 9  | 0,8-1,4 | H14565  | H11727  | H11152                |
| M8  | 80/60   | 9  | 0,8-1,4 | H14566  | H11727  | H11152                |
| M10 | 20      | RD | 3       | H14598  | H11727  | H10924                |
| M10 | 25      | 12 | 3       | H14437  | H11727  | H10924                |
| M10 | 30      | 12 | 3       | H15017  | H11727  | H10924                |
| M10 | 40      | 12 | 3       | H11488  | H11727  | H35126                |
| M10 | 60      | 12 | 3       | H15652  | H11727  | H35305                |
| M10 | 80      | 12 | 3       | H14074  | H11727  | H35305                |
| M10 | 150/50  | 12 | 3       | H13399  | H11727  | H12332                |
| M10 | 150/140 | 12 | 3       | H16419  | H11727  | H12332                |
| M12 | 40      | 14 | 0,8-1,4 | H14316  | H11727  | H10613                |
| M12 | 50      | 14 | 0,8-1,4 | H16403  | H11727  | H10613                |

<sup>2</sup> AlMg (Aluminium)

<sup>2</sup> AlMg (aluminium)

<sup>3</sup> Pistolenausüstung K22

<sup>3</sup>tool set K22

Weitere Materialien und Abmessungen auf  
Anfrage

other materials or dimensions on  
request

Stammhaus / Headquarter Hilbig GmbH - Großmooring 8 - 21079 Hamburg - phone + 49 40 / 769 210-0 - fax + 49 40 / 769 210-21  
Zweigbetrieb / Branch Hechtskuhl 17 - 23992 Neukloster - phone + 49 38422 / 423-0 - fax + 49 38422 / 423-13  
Internet: www.hilbig-gmbh.de - email: info@hilbig-gmbh.de